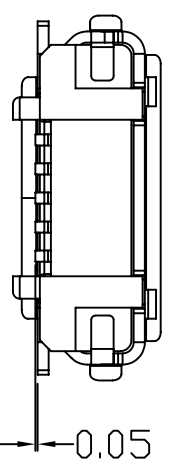
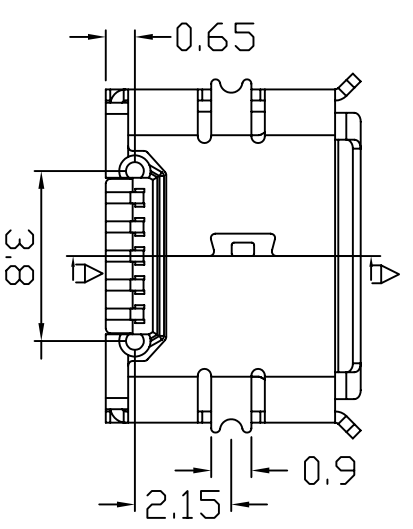
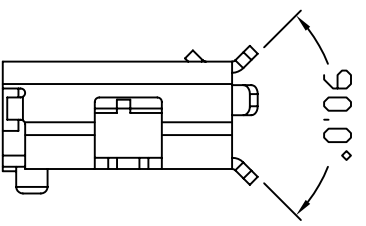
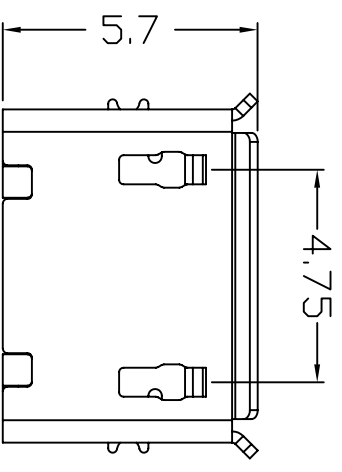
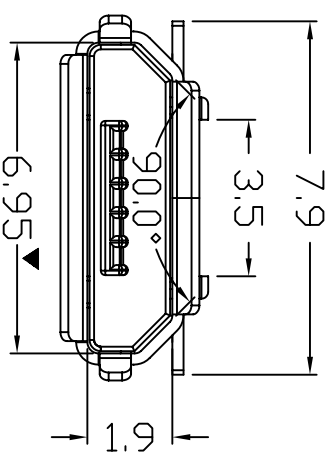


REV	DESCRIPTION	DRAWN/DATE	CHECK/DATE	APPROVED/DATE
A0	NEW RELEASE	Jason 04/10/07	Banyan 04/10/07	Wangfon 04/10/07

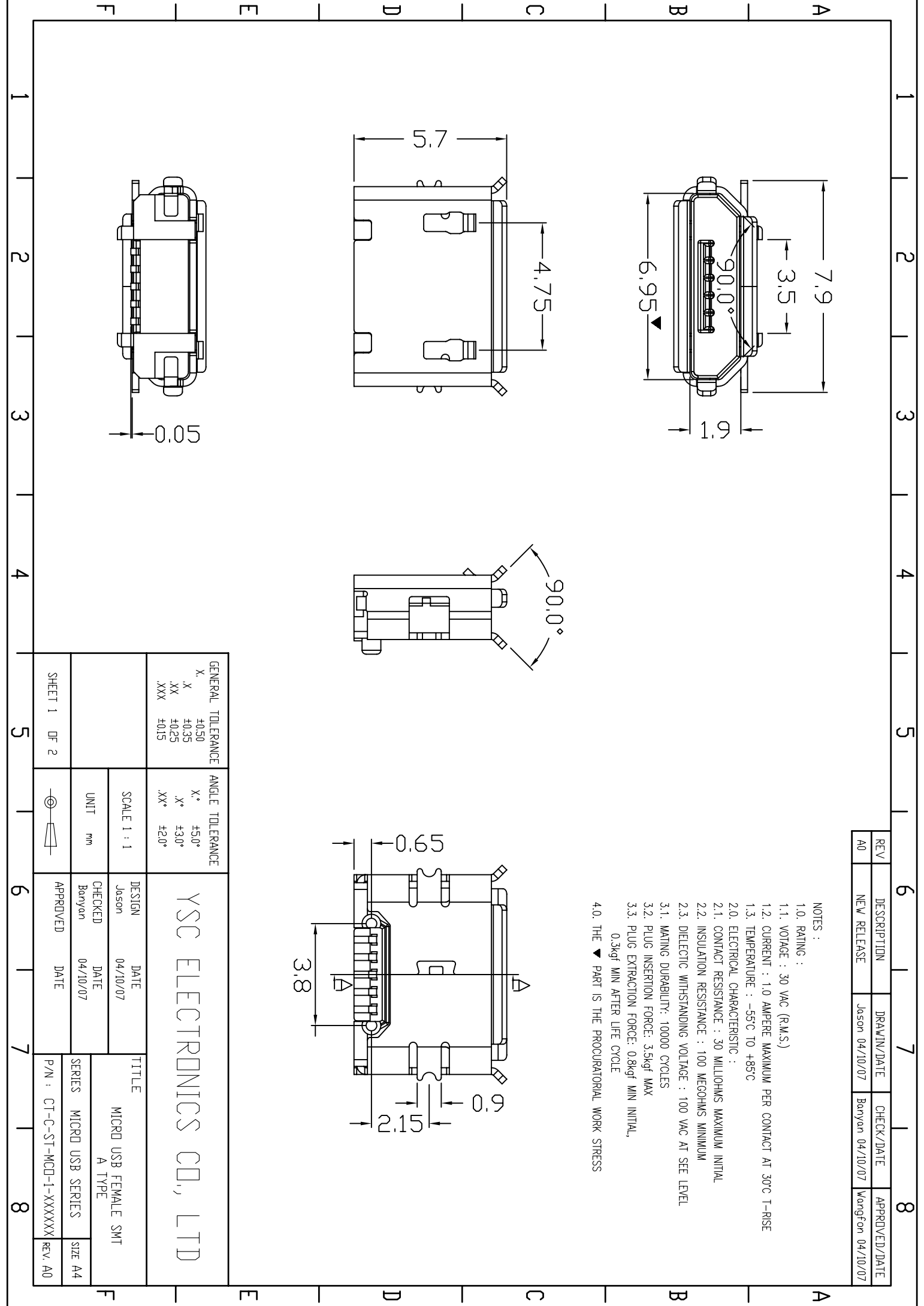


- NOTES :
- RATING :
 - VOLTAGE : 30 VAC (R.M.S)
 - CURRENT : 1.0 AMPERE MAXIMUM PER CONTACT AT 30°C T-RISE
 - TEMPERATURE : -55°C TO +85°C
 - ELECTRICAL CHARACTERISTIC :
 - CONTACT RESISTANCE : 30 MILLIOHMS MAXIMUM INITIAL
 - INSULATION RESISTANCE : 100 MEGOHMS MINIMUM
 - DIELECTRIC WITHSTANDING VOLTAGE : 100 VAC AT SEE LEVEL
 - MATING DURABILITY: 10000 CYCLES
 - PLUG INSERTION FORCE: 3.5kgf MAX
 - PLUG EXTRACTION FORCE: 0.8kgf MIN INITIAL, 0.3kgf MIN AFTER LIFE CYCLE
 - THE ▼ PART IS THE PROCURATORIAL WORK STRESS

GENERAL TOLERANCE	ANGLE TOLERANCE
X ±0.50	X° ±5.0°
.X ±0.35	.X° ±3.0°
.XX ±0.25	.XX° ±2.0°
.XXX ±0.15	

YSC ELECTRONICS CO., LTD

SCALE 1 : 1		DESIGN	DATE	TITLE
UNIT mm		Jason	04/10/07	MICRO USB FEMALE SMT
SHEET 1 OF 2		CHECKED	DATE	A TYPE
DF 2		Banyan	04/10/07	SERIES MICRO USB SERIES
APPROVED		DATE		P/N : CT-C-ST-MCD-1-XXXXXX
				SIZE A4
				REV. A0



REV	DESCRIPTION	DRAWN/DATE	CHECK/DATE	APPROVED/DATE
A0	NEW RELEASE	Jason 04/10/07	Banyan 04/10/07	Wangfon 04/10/07

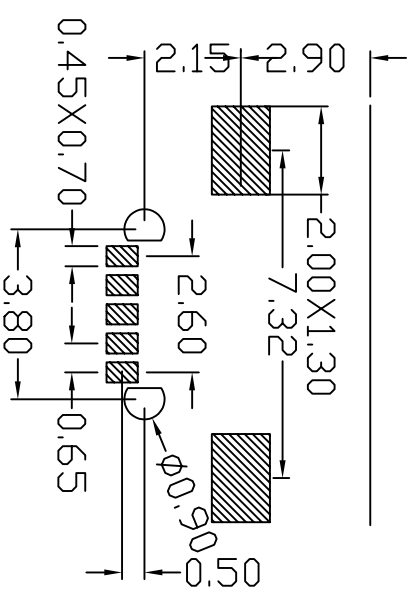
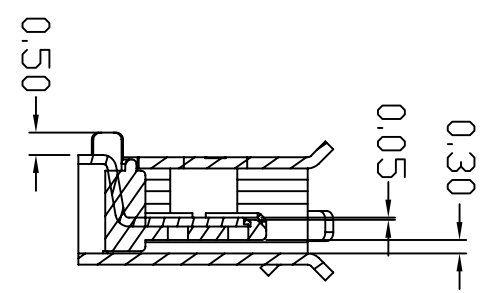
NOTES:

- 1.MATERIALS :
 FRONT SHELL : STAINLESS SUS304 THICKNESS=0.25±0.02mm
 HOUSING : PA-9T, UL94V-0
 CONTACT : BRASS C2680-EH , T=0.20mm
- 2.PLATING :
 SHELL : SELECT PLATING, PLATED 50 u" Min. NICKEL OR NO PLATING
 CONTACT : 100u"MIN TIN ON SOLDER TAIL AREA
 AND SELECT PLATING GOLD ON CONTACT AREA

PART NUMBERING CODE

CT-C-ST-MCO-1-5 * * * * 0

- ① SERIES : MCO-1 : MICRO USB CONNECTOR, SMT TYPE(A TYPE)
- ② POSITIONS: 5 : 5 POSITIONS.
- ③ INSULATOR COLOR & LOGO
 A : GRAY (W/O LOGO)
 K : BLACK (W/O LOGO)
- ④ CONTACT PLATING :
 1: Au 1u"
 2: Au 3~5u"
 5: Au 30u"
- ⑤ SHELL PLATING
 0: W/O PLATING
 1: TIN/LEAD
 2: Nickel
- ⑥ MATERIAL OF INSULATOR:
 3 : LCP
 9 : PA-9T
- ⑦ OTHER:



SECTION A-A

RECOMMENDED PCB LAYOUT

YSC ELECTRONICS CO., LTD

BILL OF MATERIAL :

ITEM	PART NAME	QTY/EA	DRAWING NO:	ITEM NO:	MATERIAL	FINISH
2	HOUSING+CON.	1	B-ST-MCO-1-00	B-ST-MCO-1-5**090	PA-9T + BRASS	~
1	OUTER SHELL	1	S-ST-MCO-1-00	S-ST-MCO-1-15*000	STAINLESS	NICKEL

GENERAL TOLERANCE	ANGLE TOLERANCE
X. ±0.50	X° ±2.0°
.X ±0.35	.X° ±1.0°
.XX ±0.25	.XX° ±0.5°
.XXX ±0.15	

SCALE	UNIT
SCALE 1 : 1	mm

SHEET	OF	DATE
2	2	04/10/07

DESIGN	DATE	TITLE
Jason	04/10/07	MICRO USB FEMALE SMT A TYPE
CHECKED	DATE	SERIES
Banyan	04/10/07	MICRO USB SERIES
APPROVED	DATE	SIZE
		A4

P/N : CT-C-ST-MCO-1-XXXXXX REV. A0