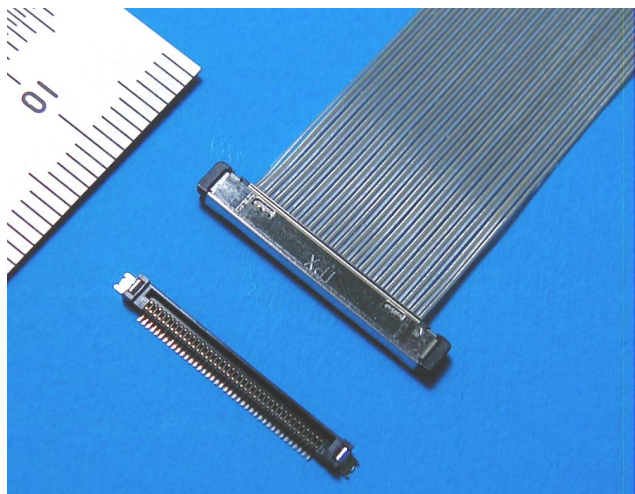


## **CABLINE-SS** Connector



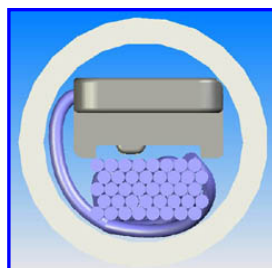
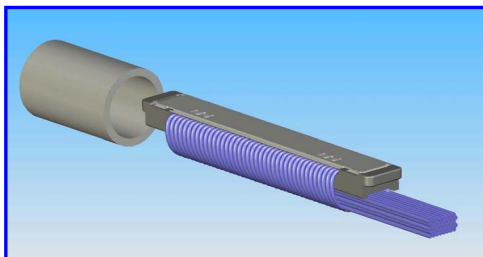
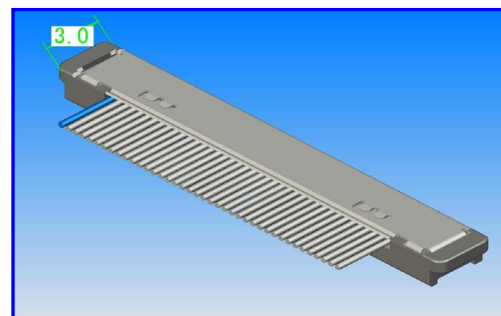
New products "CABLINE-SS" is Super Slim SGC connector that enable through hinge after cable termination process. Diameter of hinge of Flip-type compact electronics devices like cellular phone is getting smaller in recent years.

In the past, operators through cables in hinge and then terminate connectors with cables, which causes complicated in workability & procurement of components.

**CABLINE-SS** is Super Slim and make it possible to through hinge after termination.

### **[Features]**

- > Connector depth of 3.0mm (30p/40p/50p)
- > It's possible to through assembled connector in hinge after connectors & cables terminated
- > 0.4mm pitch two piece connector (board side : SMT type)
- > Mating Height : H=1.65mm
- > Applicable Cable : SGC AWG#42
- > Lead-free design



\*Specifications subject to change without prior notice for the improvements

## **I-PEX Co.,Ltd.**

Head office : 6-27-19 Haramachida, Machida City  
Tokyo 194-0013

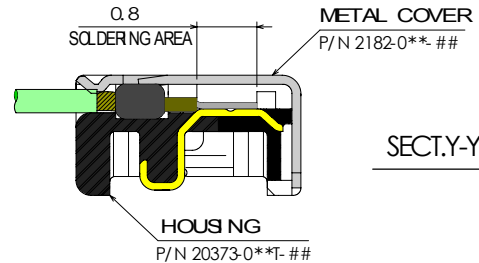
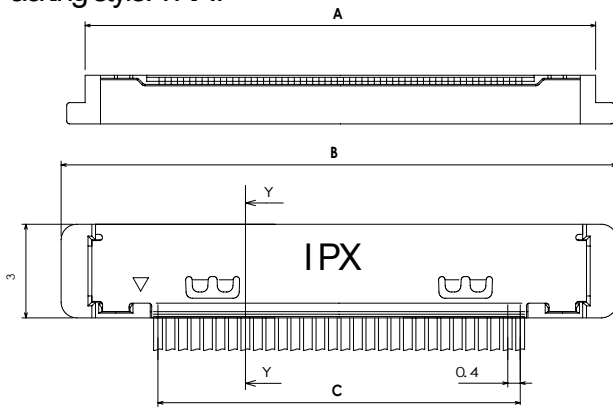
TEL:042-729-1781 FAX : 042-729-1785

## <PLUG>

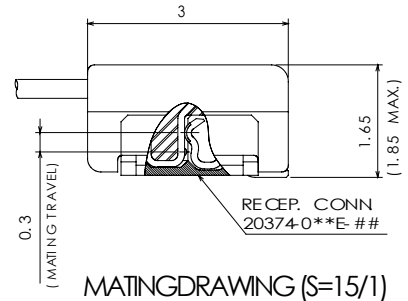
PART NO.	POS.	Housing	Metal Cover	A	B	C
◆20372-030T-##	30	20373-030T-##	2182-030-##	16.6	17.8	11.6
20372-040T-##	40	20373-040T-##	2182-040-##	20.6	21.8	15.6
◆20372-050T-##	50	20373-050T-##	2182-050-##	24.6	25.8	19.6

### ◆UNDER DEVELOPING

Packing style: TRAY



SECT.Y-Y (S=15/1)



MATING DRAWING (S=15/1)

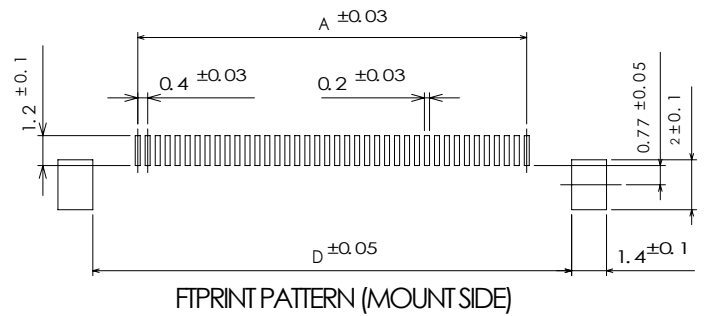
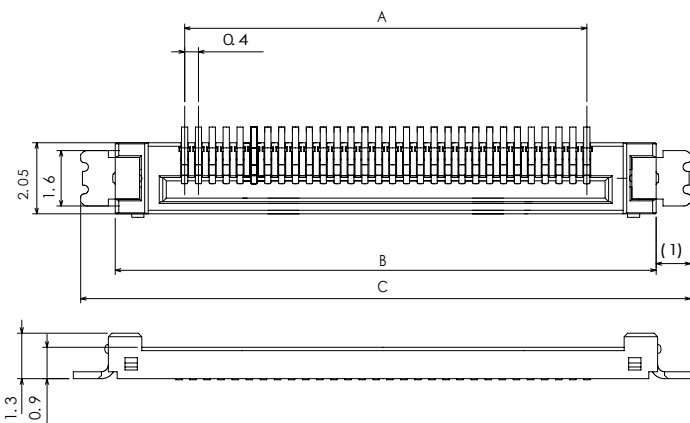
## <RECEPTACLE>

PART NO.	POS.	A	B	C	D
◆20374-030E-##	30	11.6	15.6	17.6	15.2
20374-040E-##	40	15.6	19.6	21.6	19.2
◆20374-050E-##	50	19.6	23.6	25.6	23.2

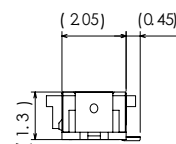
##: 00- Without Vacuum Clip  
01- With Vacuum Clip

### ◆UNDER DEVELOPING

Packing style: Emboss tape



FPCB PATTERN (MOUNT SIDE)



## MATERIAL&FINISH

Product	Parts	Material	Finish	UL
PLUG 20372-0**T-##	HOUSING	LCP	BLACK	UL94V-0
	CONTACT	COPPER ALLOY	Au OVER Ni	-
	METAL COVER	COPPER ALLOY	Sn REFLOW	-
RECEPTACLE 20374-0**E-##	HOUSING	LCP	BLACK	UL94V-0
	CONTACT	COPPER ALLOY	Au OVER Ni	-
	FIXING METAL	COPPER ALLOY	Sn/Cu OVER Ni	-