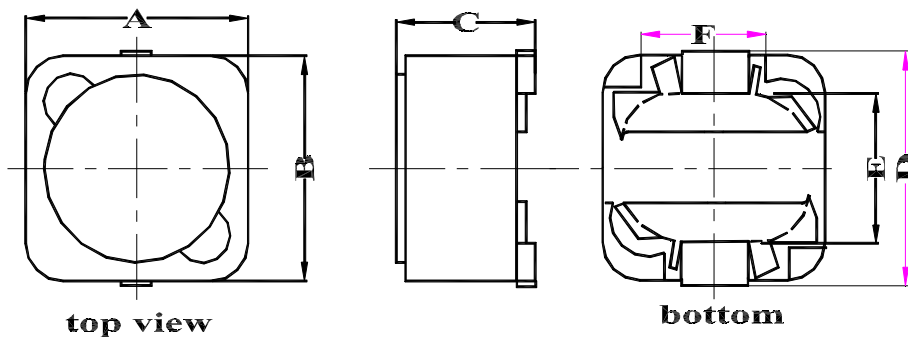


New Product

**EASY MAGNET CORP.
SDRH63 SERIES**

EMC Part Number	L (uH)	Tolerance +/-%	DCR (Ohm) Max.	Isat Amp Max.	Irms Amp
SDRH63-1R0M	1.0	20	0.030	1.35	1.08
SDRH63-2R2M	2.2	20	0.045	1.25	1.00
SDRH63-4R7M	4.7	20	0.075	1.15	0.92
SDRH63-100M	10.0	20	0.140	1.10	0.88
SDRH63-270M	27.0	20	0.27	0.80	0.64
SDRH63-330M	33.0	20	0.30	0.78	0.60
SDRH63-470M	47.0	20	0.55	0.70	0.56
SDRH63-101M	100.0	20	1.0	0.65	0.52
SDRH63-331M	330.0	20	3.0	0.50	0.40
SDRH63-471M	470.0	20	4.5	0.45	0.36
SDRH63-681M	680.0	20	7.0	0.40	0.32
SDRH63-102M	1000.0	20	10	0.35	0.28
SDRH63-152M	1500.0	20	15	0.30	0.24
SDRH63-202M	2000.0	20	18	0.28	0.23
SDRH63-222M	2200.0	20	20	0.27	0.22
SDRH63-302M	3000.0	20	30	0.25	0.20



- A 6.2+/-0.4 m/m
- B 5.9+/-0.4 m/m
- C 3.0(MAX) m/m
- D 6.5+/-0.4 m/m
- E 4.0(REF) m/m
- F 3.5(REF) m/m

Isat: 10% Inductance Roll Off

Irms: 40° C Temperature Rise

Operating Temperature -25 to + 130o C